

## PRODUCT SPECIFICATION



**Product Name :** LED Flood Light

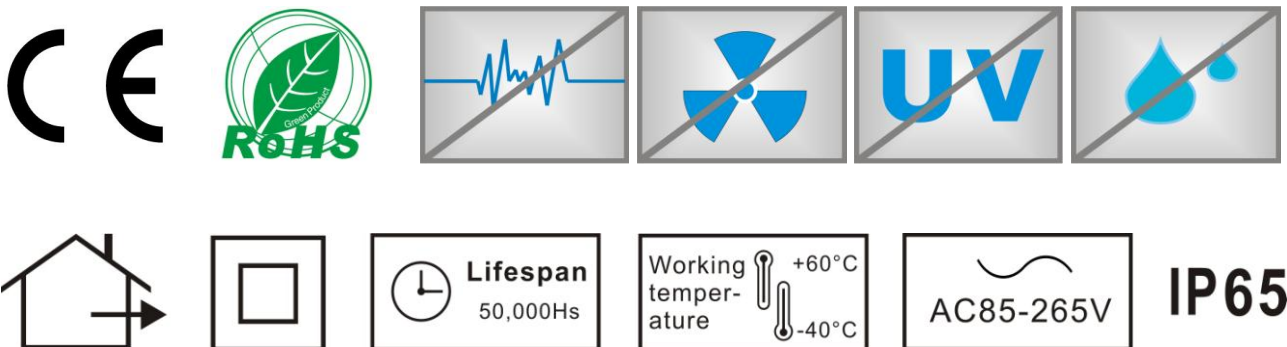
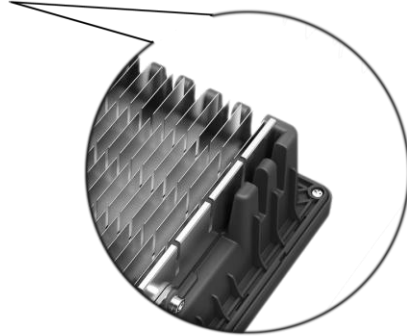
**Part No :** PG-100SLBGXX-DIM

**Approval No:** 201412110004

# TECHNOLED

## 1、 Features:

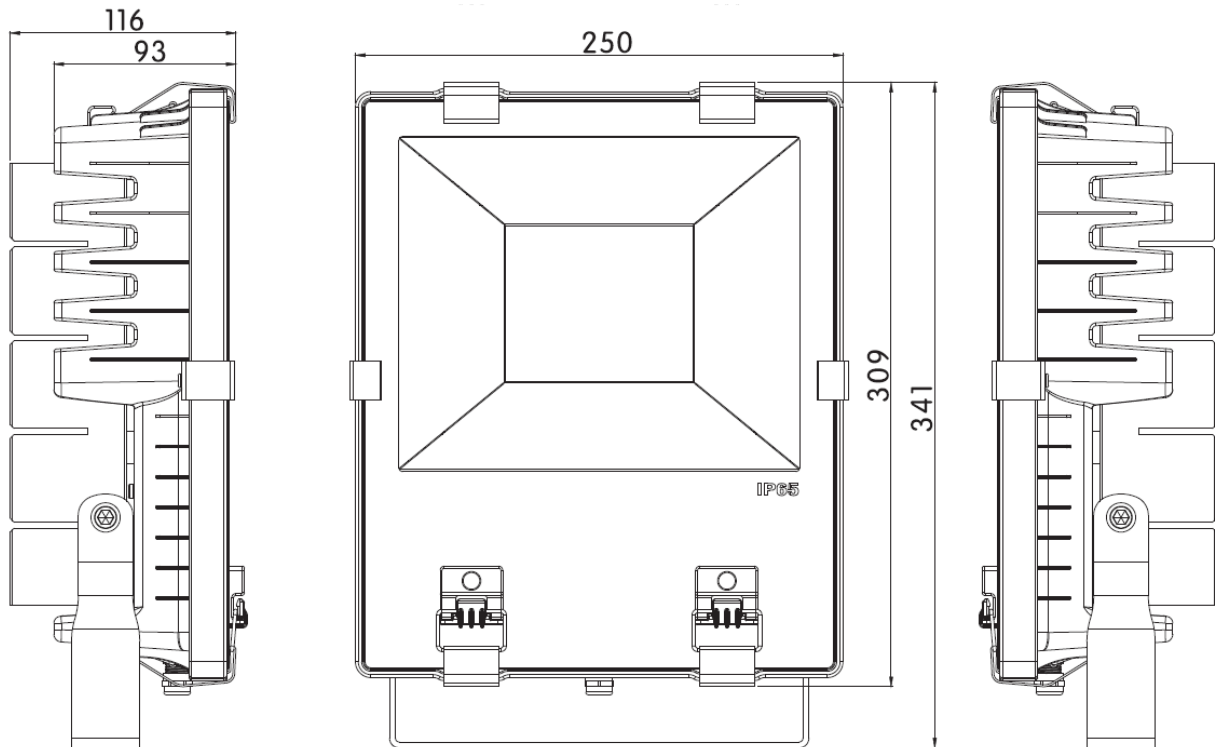
- Full waterproof design
- High transmittance empered glass,transmittan 93%
- The radiating area 4260cm<sup>2</sup>
- Multi-Chip on lead frame,single module LED package design
- System design integrating power supply,LED light engine ,and heat sink
- Over Current,Over Voltage,Over Heat,Thunder Protection
- Choice of correlated color temperatures
- Long lifespan for LED 50,000 hrs
- Complying with CE、 ROHS, No strobing during working, Fast response (no delay) , No mercury vapour , No radiation,No UV,No damage with frequency switching
- IP Rating: IP65
- Power supply direct touch the radiator,in light weight



## 2、 Application area:

- Replacing traditional High Pressure Sodium lamp or metal halide lamp.
- Widely used for advertise billboard、 exterior wall of hotel and related landscape lighting.

### 3、 Product Dimensions:



Attentions:

- 1、 All dimension units are millimeters.
- 2、 All dimension tolerance is  $\pm 1\text{mm}$  unless otherwise noted.

### 4、 Product Specification:

Input voltage: AC85V~265V

Frequency range: 50Hz~60Hz

Total harmonic distortion:  $\leq 9\%$

Power factor:  $\geq 0.9$

Power efficiency:  $> 85\%$

System consumption:  $< 110\text{W}$

LED package: Multi-chip on led frame, Single module

LED consumption: 100W

LED Working voltage: DC30~36V

LED quantity: 2PCS

LED luminous:  $> 10500\text{ lm}$

LED luminous efficiency: 90~100 lm / W

CRI:  $> 80$

# TECHNOLED

Illuminance uniformity:  $>0.68$

LED Junction temperature:  $\leq 60^{\circ}\text{C}$

Operational condition:   Temperature    $-40^{\circ}\text{C} \sim 60^{\circ}\text{C}$   
  Humidity        $10\% \sim 90\% \text{RH}$

Storage temperature:  $-40^{\circ}\text{C} \sim 85^{\circ}\text{C}$

Working life-span:  $>50,000\text{H}$

Beam angle:  $120^{\circ}$

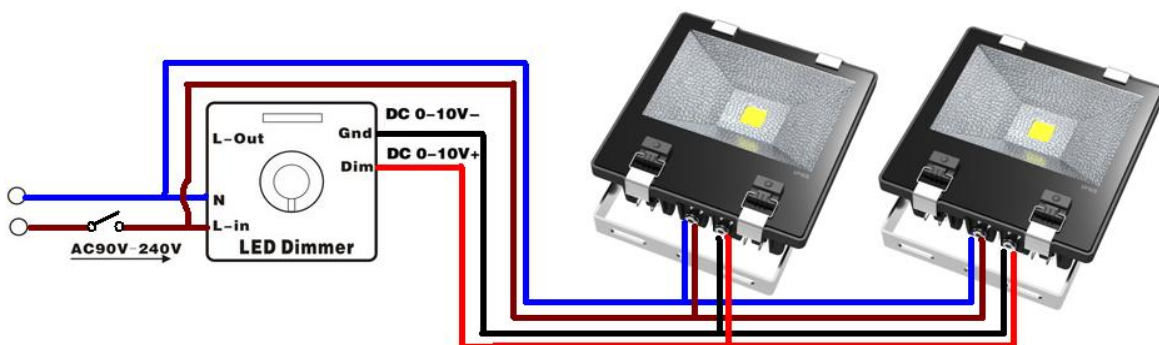
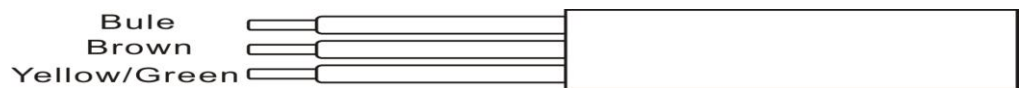
IP Grad: IP65

Housing: ABS and Al alloy

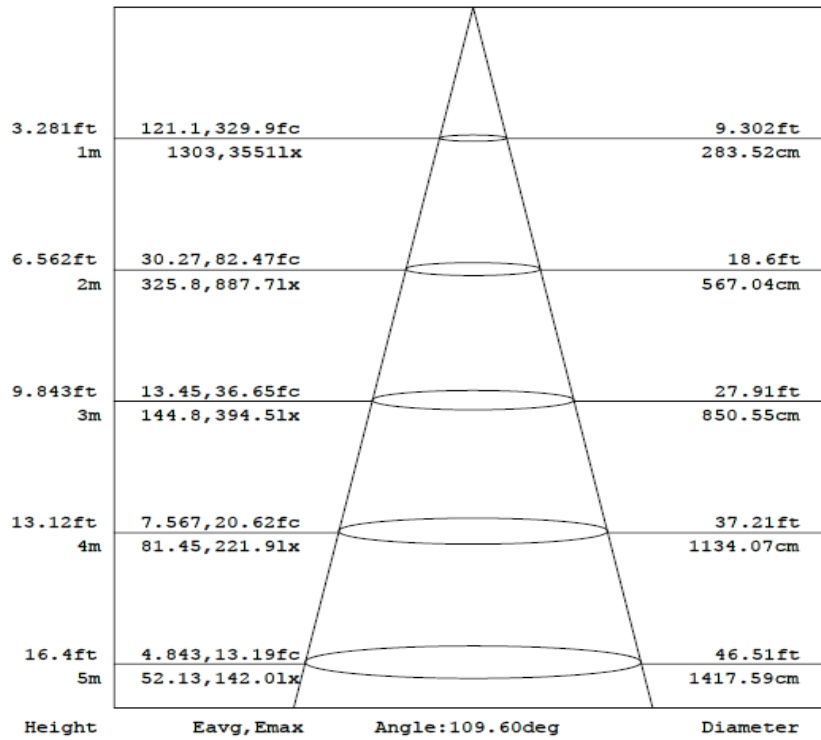
Mounting Height: Suitable for  $8 \sim 10\text{m}$  height

## 5、Connect wire:

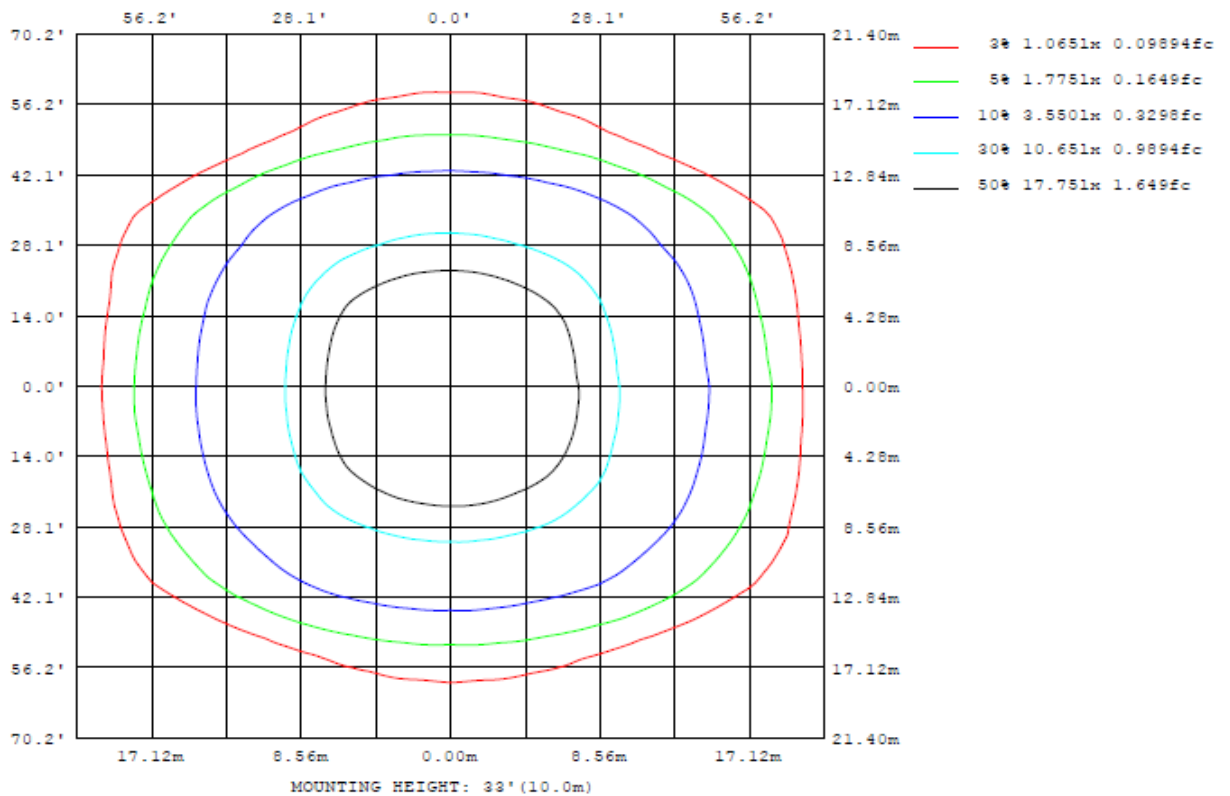
- Blue—Neutral
- Brown—Line
- Yellow/Green—Ground



## 6、 Photometry (CCT:5500K):

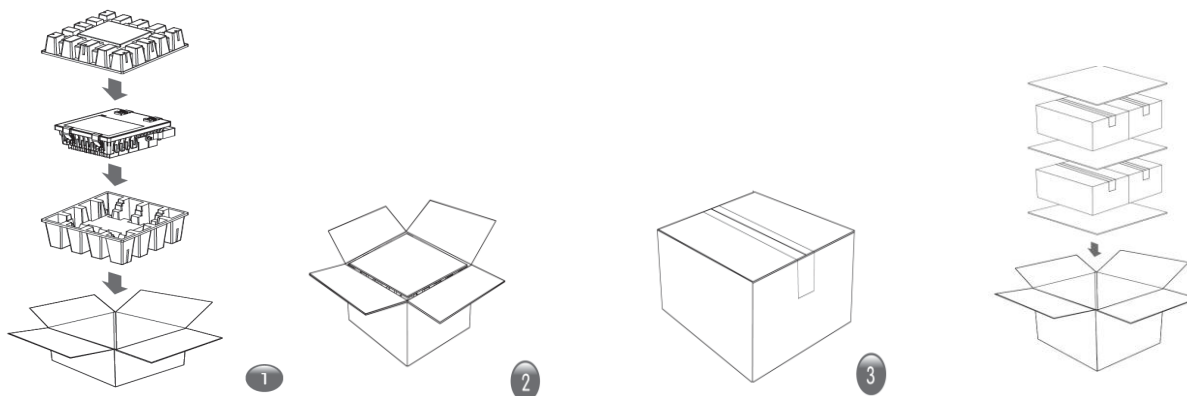


## 7、 ISOLUX CURVE:



## 8、Package:

- 1 Set = 395mm × 345mm × 240mm    3.72Kg
- 1 Carton = 4 Set    Size: 730mm × 420mm × 545mm    15.88Kg



## 9、Installation:

- Installation tool: A adjustable wrench group.
- Installation Steps:
  - ① Tighten Axle Screw, and Locate Screw
  - ② Connecting the power line of LED Flood Light to the power supplier ,finish the installation procedure
- The installation notices:
  - ① No necessary using other devices for LED Flood light installation such as stabilizer, regulator and so on
  - ② Opening the light and lifting the buckle is unallowable.  
Soaking in the water is unallowable

## 10、Warning:

- Do Not Use Other Devices for LED Floodlight Installation Such as Stabilizer, Regulator ...etc
- Do Not Open the Light Engine
- Do Not Soak the Floodlight into Water
- Do Not Light up the System Without Grounding